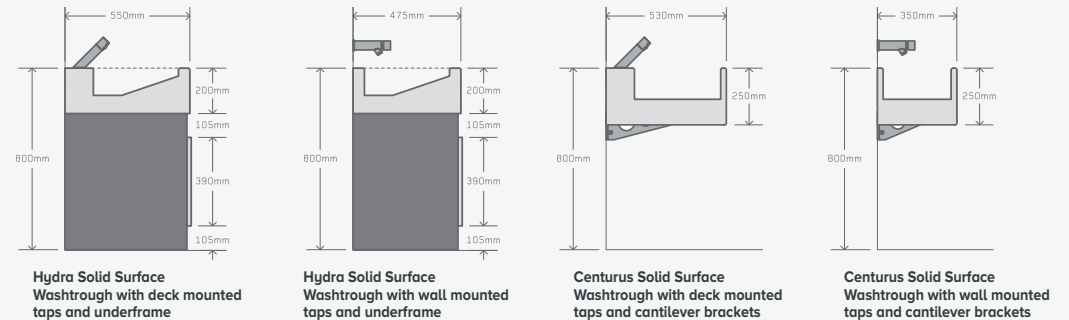


WASHTROUGHS

Our luxurious washtrough is available in 2 designs; Hydra with its sleek sloping base and Centurus with its contemporary flat bed.

Superbly crafted from our flawless Solid Surface composite, Bushboard's washtroughs deliver a seamless finish that is exceptionally hardwearing. Available with cantilever fittings for the ultimate in minimalist style, or with underframe and panels for a contemporary spin on the traditional washroom environment.



Both washtrough styles are available with an underframe and panels or cantilever.



Performance	Solid Surface	
	Underpanels: MFC, HPL or SGL, Real Wood Veneer or ColourCoat™	
Vanity Ends	Trough:	Finished ends
	Underpanels:	With or without finished ends
Colours	Trough:	12 Solid Surface Options
	Underpanels:	34 laminate colours
		11 Real Wood Veneers
		10 ColourCoat™ options
Dimensions	Bed Depth:	Hydra: 550mm (with deck mounted taps) or 475mm (with wall mounted taps)
		Centurus: 530mm (with deck mounted taps) or 350mm (with wall mounted taps)
	Downstand:	Hydra: 200mm
		Centurus: 250mm
	Lip Heights:	
	Adult:	800mm
	Junior:	750mm
	Infant:	675mm
	Nursery:	600mm
	Max. Length in one section:	3000mm

Helpful Links

- [View our full product range online](#)
- [Create your specification with our online tool](#)
- [Try out colours on our Design Tool](#)
- [Read our case studies and helpful blogs](#)